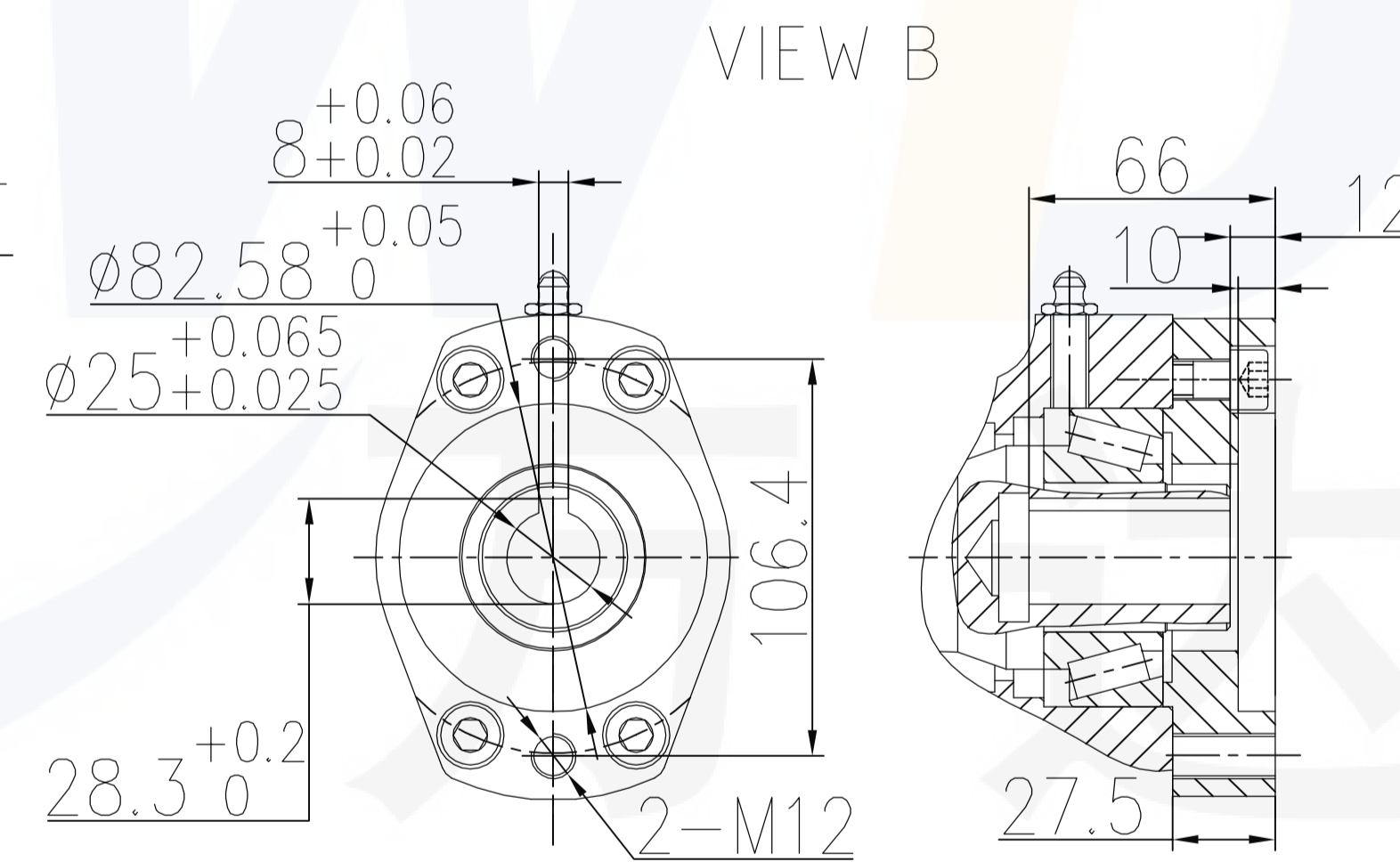
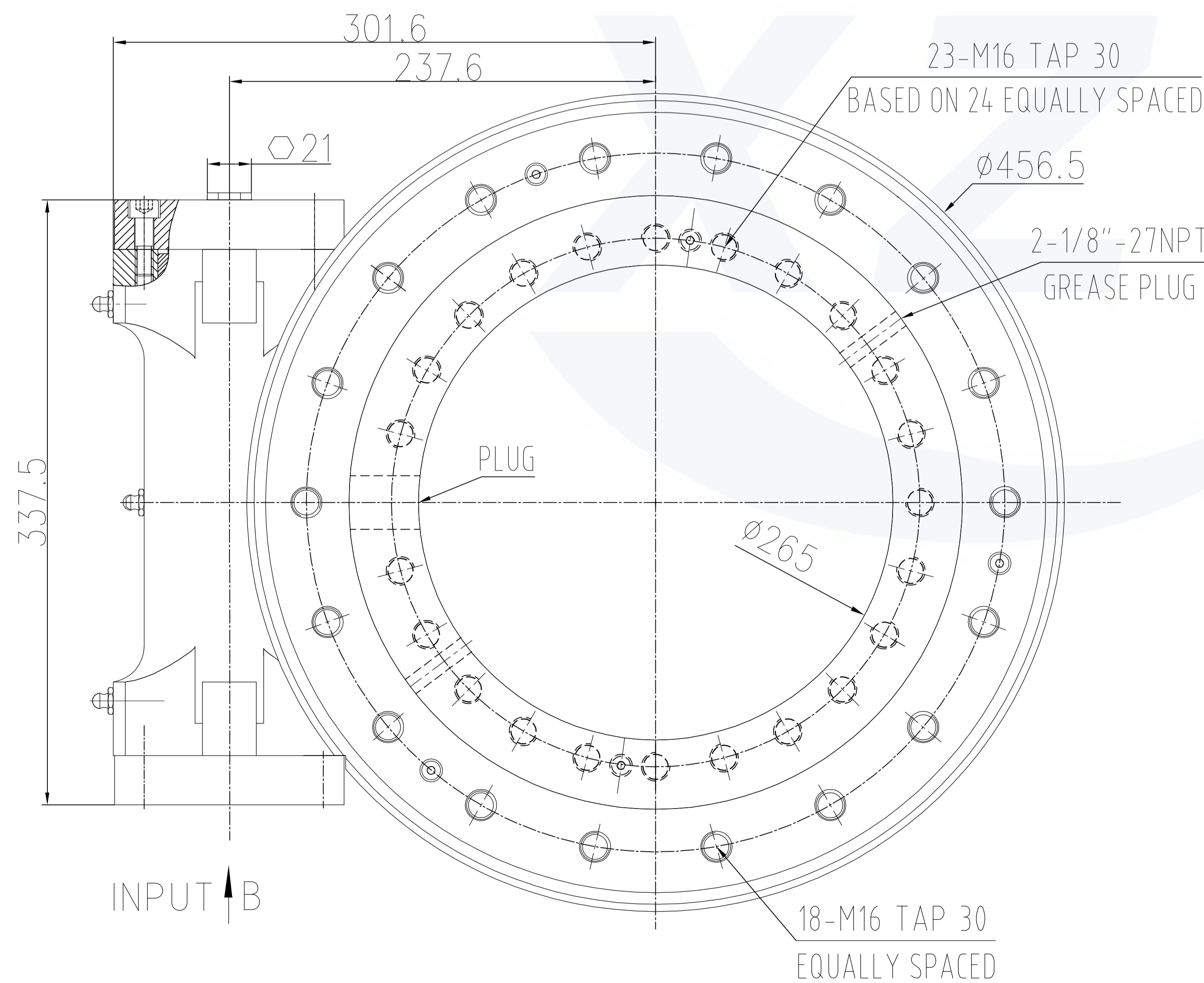
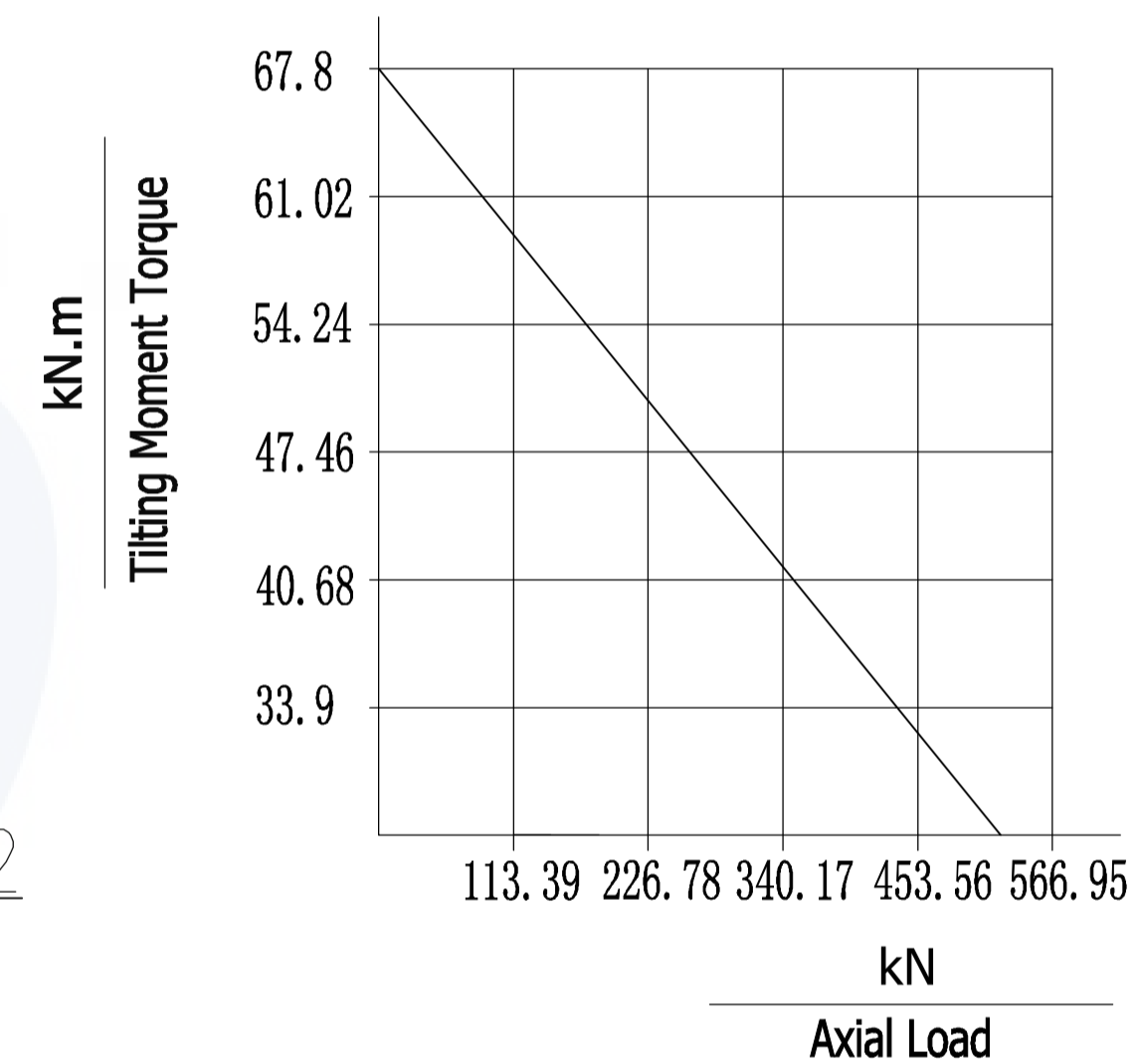


Slewing Drive Performance Data	
Gear Ratio	85:1
Rated Output Speed	≤3 rpm
Rated Output Torque	8 kN.m
Tilting Moment Torque	67.8 kN.m
Static Axial Rating	555 kN
Static Radial Rating	222 kN
Dynamic Axial Rating	133 kN
Dynamic Radial Rating	117 kN
Tracking Precision	≤0.17°
Self Locking Gears	Yes
Weight	70 kg



MOMENT LOAD CHART
Axial Load & Tilting Moment



REV	DATE	REVISER	DESCRIPTION			
DESIGNED BY			Xuzhou Wanda Slewing Bearing Co.,Ltd. www.slew-bearing.com Tel: +86-516-83309366 Fax: +86-516-83915766			
CHECKED BY						
APPROVED BY						
ALL PROPRIETARY RIGHTS IN THE SUBJECT MATTER HERE OF ARE RESERVED, AND NO PERMISSION IS GRANTED OR TO DISCLOSE REPRODUCE THIS PRINT IN WHOLE OR IN PART, ANY OF THE INFORMATION TO OTHERS.			WEIGHT	SCALE	SLEWING DRIVE SE14-85-H-25R	REV
SYMBOL ISO	SIZE	A3	SHEET	1/1		A